



D、 Rectifier/charger

SRE series rectifier/charger
 Capacity range : 63A~4000A
 Voltage level : DC110V/125V/220V



E、 Inverter

SDP series inverter
 Capacity range : 10KVA~2.5MVA
 Voltage level : DC110V/220V



F、 Smart energy storage battery power supply

This series of products is divided into four battery modules:
 battery module.
 24V battery module capacity:
 50AH、 65AH、 100AH、 150AH、 200AH、 260AH;
 36V battery module capacity:
 50AH、 65AH、 100AH、 150AH、 200AH、 260AH;
 48V battery module capacity:
 50AH、 65AH、 100AH、 150AH、 200AH、 260AH;



Who Are We?

Founded in 1998, Qingdao LDC Technology Co., Ltd. is a National-Level high-tech enterprise specialising in the research and development, production, sales and service of high-power power electronic converter control technology and related products, which is supported by Shandong Province and Qingdao State-owned enterprises;
 National-Level 'speciality, speciality and new small giants' enterprises.
 National-Level "invisible champion" enterprise.
 National science and technology small and medium-sized enterprises

What value can we bring to you?

We are committed to providing high-quality and highly reliable power supply solutions for traditional energy industries such as petrochemicals, coal chemicals, and power generation plant, new energy industries such as nuclear power generation, PV&CSP power plant, and hydrogen energy, and strategic emerging industries such as new materials and semiconductors.
 We have provided technical support for ten consecutive years to ensure the safe, reliable and uninterrupted operation of customer equipment.

What can we do for you?

- 1.Power supply quality and reliability of control system in production workshop;
- 2.Power supply quality and reliability of power system in production workshop;
3. Power supply quality and reliability of power transmission and transformation in factories.

Main products

- 1.Industrial low-voltage power supply products:**
Industrial uninterruptible power supply UPS, industrial emergency power supply EPS, industrial DC power supply RPS;
- 2.Industrial medium voltage power supply products:**
Industrial medium-voltage uninterrupted power supply UPS and industrial medium-voltage emergency power supply EPS;
- 3.Industrial hydrogen production power supply:**
Photovoltaic electrolyzed water power supply, wind power electrolyzed water power supply, hydropower electrolyzed water power supply, and sea scenery integrated electrolyzed seawater power supply;
- 4 Fuel cell converter:**
Fuel cell AC and DC power generation systems;



Catalog



Tel QR Code

ADD. : Jiangshan Precision Machinery Manufacturing Industrial Park, Laixi, Qingdao, China.

FAX : +86 532 87882666

WEB : www.ldcups.com

MAIL : LDCUPS@LDC.com.cn

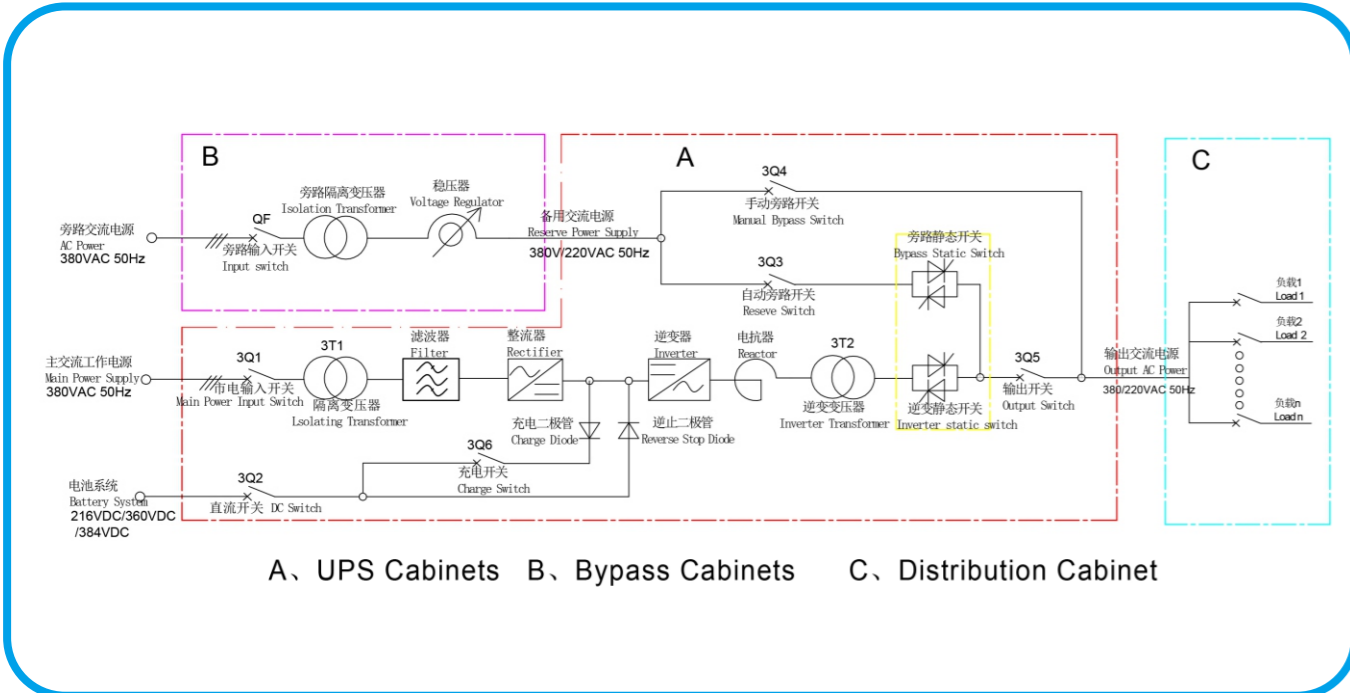


for
Industry POWER
UPS/RECTIFIER
BATTERY CHARGER
INVERTER/AVR

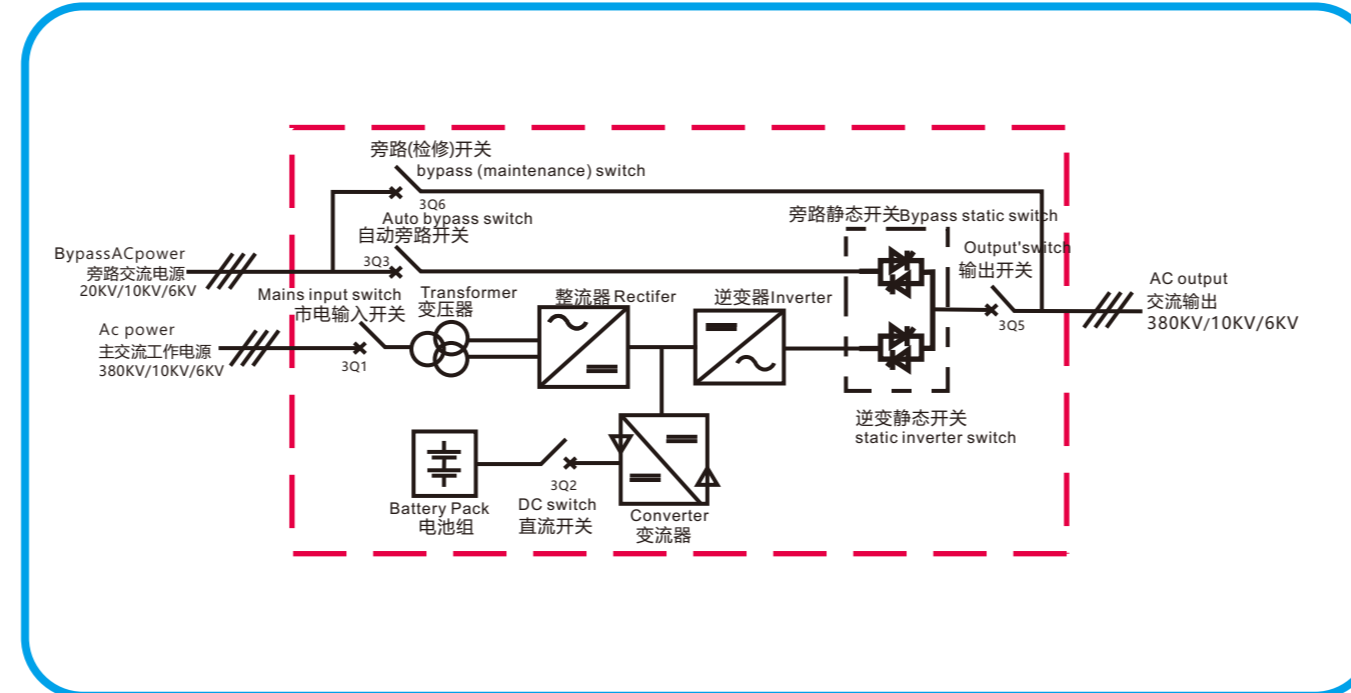


To be the world's most reliable industrial-grade UPS manufacturer

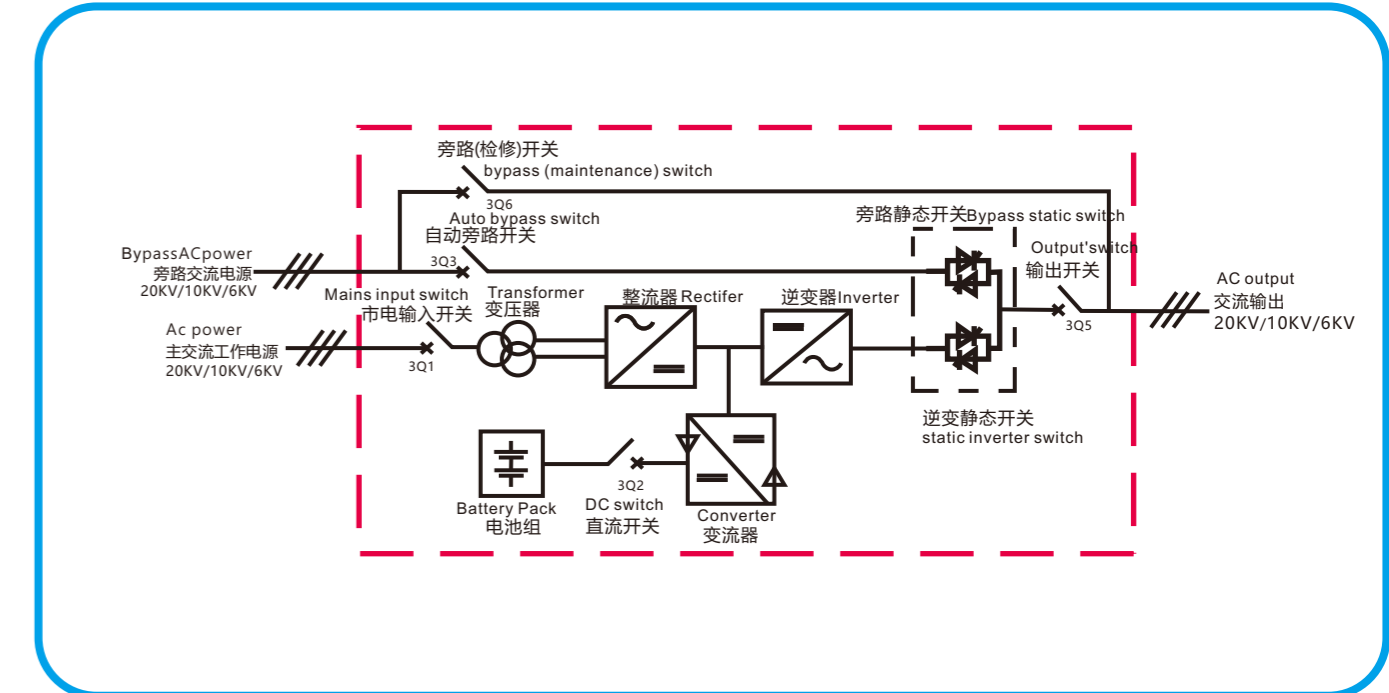
A. Power supply quality and power supply reliability solution of production workshop control system



B. Power supply quality and power supply reliability solution of power system in production workshop



C. Solutions for power quality and reliability in plant transmission and substation



Low voltage industrial UPS

Uninterruptible power supply for industrial -SDP series

Type: Three-in and One-out (31) series

Capacity range: 10KVA~400KVA

Peak factor : 3:1/6:1

DC voltage : DC108V/216V/360V



Uninterruptible power supply for industrial-SDP series

Type: Three-in and One-out (31) series

Capacity range: 10KVA~2.5MVA

Peak factor : 3:1/6:1

DC voltage : DC216V/360/480V/760V



Uninterruptible power supply for power system UPS FOR POWER SYSTEM(PS)



Low voltage uninterrupted power supply -SDP-LV系列Series

Voltage class : 380V/690V

Capacity range : 300KVA~2.5MVA

Peak factor : 6:1/9:1

DC voltage : DC360V/480V/760V



Medium-voltage uninterruptible power supply -SDP-MV系列Series

Voltage level : 3KV/6KV/10KV/20KV

Capacity range : 800KVA~20MVA

Peak factor : 6:1/9:1

DC voltage : DC960V

Medium-voltage uninterruptible power supply UPS FOR POWER SYSTEM(PS)

Medium-voltage uninterruptible power supply -SDP-MV系列Series

Voltage level : 3KV/6KV/10KV/20KVA

Capacity range : 800KVA~20MVA

Peak factor : 6:1/9:1

DC voltage : DC960V

